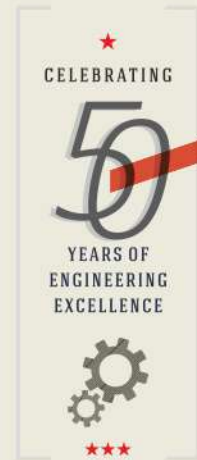


A will to excel that drives to excellence!



WOODMAC

Beyond Engineering ...



SETTING STANDARDS FOR TOMORROW



Built on the robust pillars of quality, innovation and customer's faith, the success story of Woodmac Industries spans over 5 defining decades. With the inception of its operations way back in 1970 as a small manufacturing unit, there has been no looking back as it has grown tremendously over the years. Coupled with the infusion of latest technological trends and farsighted business outlook, it has further propelled the upward growth trajectory of its business. Established in the holy city of Amritsar, near New Delhi, the group made inroads with the best of machines and men to deliver the best in quality, technology and endurance reflected through its machines designed for producing marvelous products.

WE ARE WOODMAC

Taking pride as a specialized ISO manufacturing company, it is cued towards the needs and changes of the future. Fortified with expertise in PLC controlled Hydraulic Hot Presses for Plywood, Particle Boards, High Pressure Laminates, Densified/Shuttering Ply and Rubber Conveyor Belts, it has carved a niche for itself in this competitive scenario. Over the years, the company has also been at the fore in providing customized solutions for its esteemed clientele.

FROM THE MANAGING DIRECTOR'S DESK

We believed in a dream and realized it in the grand form of Woodmac Industries. As we initiated our operations with small infrastructure, our gradual focus on strong expertise and vision of providing high quality hydraulic hot presses wooed clients world over. We are indebted to the almighty's blessings and unconditional support of our customers as we touched the epitome of success.



I would also like to express my sincere thanks to our patrons for their understanding, appreciation, continuous support and encouragement to Woodmac.

The thrust on high class innovative techniques for manufacturing Hydraulic Presses have catapulted Woodmac to being one of the leading manufacturers and exporters. Our team of professionals has high expertise that translates to successful management at all levels. We all work together to create great quality and ensure to provide maximum value for money to clients that ensures complete customer satisfaction. We are committed to 100% customer satisfaction policy by inculcating their inputs and need, maintaining high standards in our relationships and striving hard each day in pursuit of excellence

I would also like to express my sincere thanks to our patrons for their cooperative understanding, appreciation, continuous support and encouragement to Woodmac.

Partap Singh Bhullar
Managing Director

UP STROKE HYDRAULIC HOT PRESS FOR CURING RUBBER CONVEYOR BELT

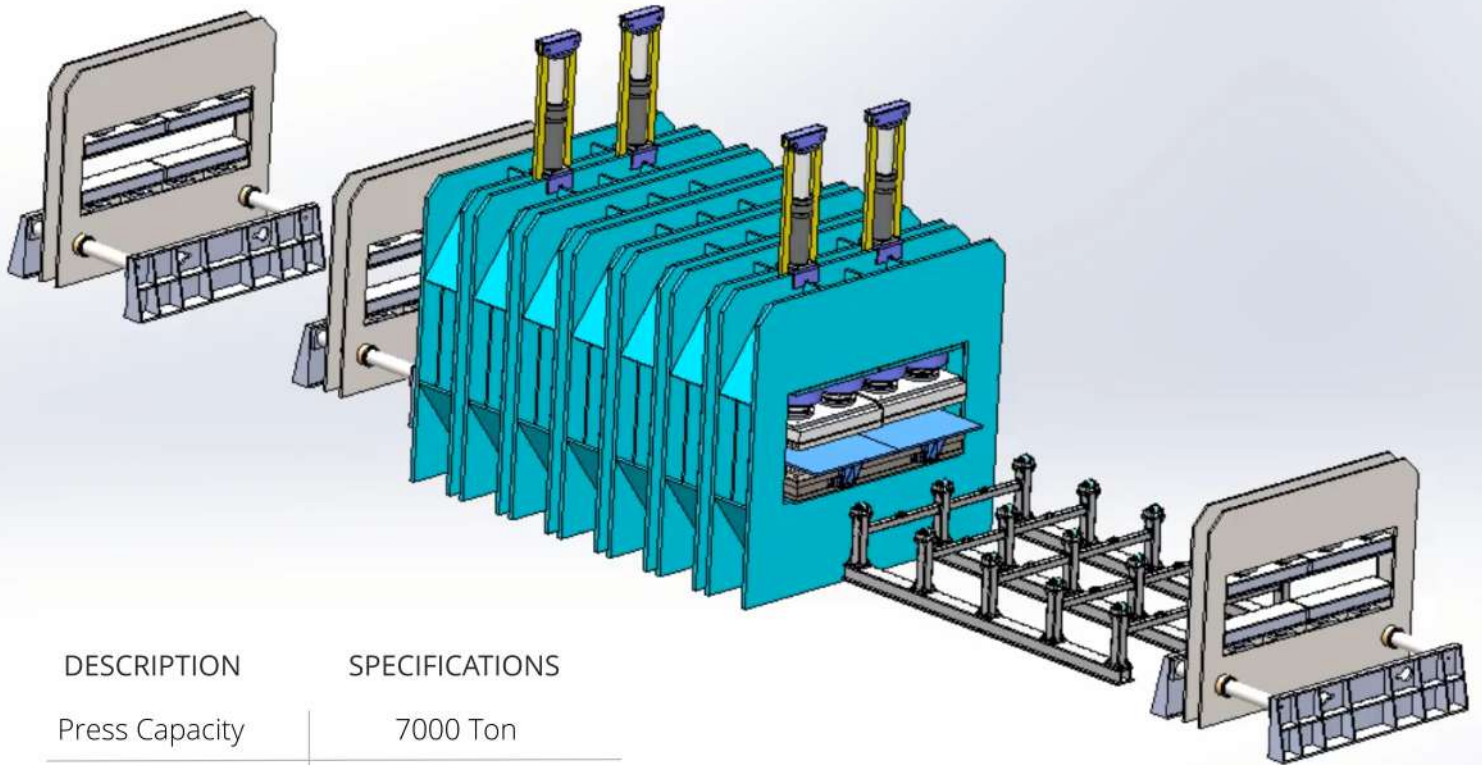
This particular hot press is used to produce Transmission Rubber Belt, Chevron patterned Conveyor Belts, Rubber Sheet, Rubber Conveyor Belt, Industrial Steel Cord Belts and Special Rubber products. Conveyor Belt Unit consists of Hydraulic Hot Press, Hydraulic Power Pack and Electric Control System etc.

Some of the specifications of the shown press are as under:

DESCRIPTION	SPECIFICATIONS
Press Capacity	1000 ton to 18000 ton
No. of Daylights	Single/Double
Platen Size	2600 x 7300 mm

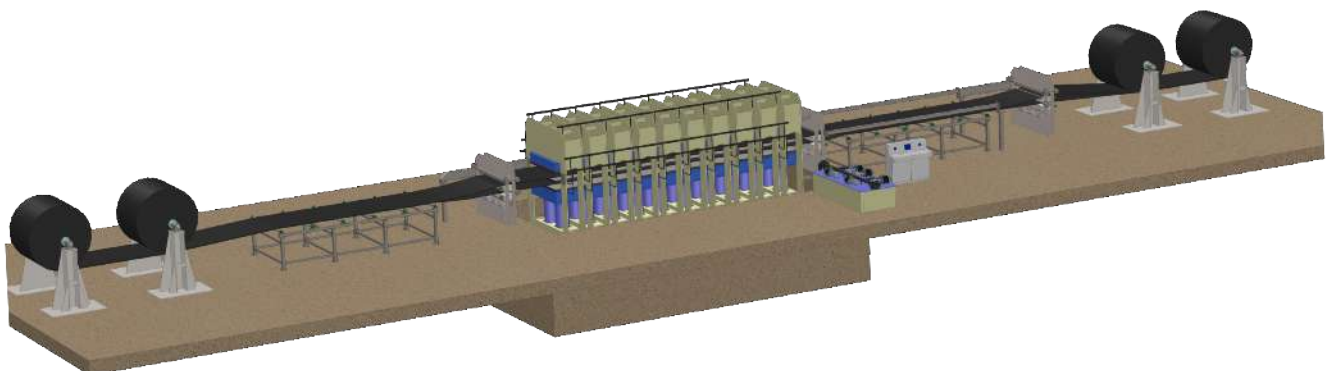


DOWN STROKE HYDRAULIC HOT PRESS FOR CURING RUBBER CONVEYOR BELT



DESCRIPTION	SPECIFICATIONS
Press Capacity	7000 Ton
Platen Size	3000 x 6300
Daylight Gap	450 mm

DUAL FUNCTIONS PRESS (For R.C.B. And Chevron Belt)





HYDRAULIC HOT PRESS CURING RUBBER CONVEYOR BELT



BELT WINDERS FOR RUBBER
 CONVEYOR BELT RUBBER
 SHEETS AND STEEL CORD BELTS

The winders and let off are used, for wind the all type of Rubber Conveyor belts and sheets



DESCRIPTION	SPECIFICATIONS
Max. Weight Capacity	30 ton
Width Maximum	3500 mm

WINDERS ARE EQUIPPED
 WITH
 PNEUMATIC BREAKS



EDGE IRON DEVICE

Auto Keying System For Mould Edge Belts

SIDE OPENING PRESS



❖ Side Opening Press for making **Endless Belt**

Woodmac is one of the fastest growing and prominent Manufacturer & Exporter of Hydraulic hot Presses which are used for producing

❖ RUBBER CONVEYOR BELTS PRESS

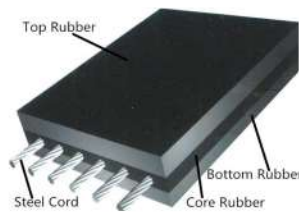
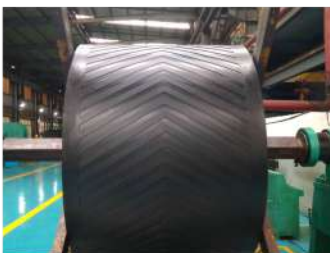
❖ RUBBER SHEET PRESS

❖ CHEVRON PATTERNED CONVEYOR BELTS

❖ INDUSTRIAL STEEL CORD BELTS PRES

❖ FOOD GRADE BELTS

❖ BUCKET CONVEYOR



STATE-OF-THE-ART FACILITY



Woodmac Industries boasts of a reputed facility backed by cost-effective automation and a thrust on optimum productivity with minimum manpower costs. Moving forward with a capability to design and develop 10 presses at a time, Woodmac also effortlessly handles the production of almost 50 presses at a time. That too with no additional time spent on procurement of raw materials and effortless delivery of products. Topped with a capacity to make 40 daylight presents, it has triumphed as the only company in India

to manufacture variety of presses for various application and also customization. Adding to its feathers, it has also bagged an exclusive annual contract for the best grade steel with one of the biggest leading rolling mills of India with a 15,000 mt. per annum capacity.

We have a grand facility spread over 50,000 sq.mts. and registered asset value worth INR 200 Crores. On top of it, the company is also adding a new factory coming up in USA soon.

3-D DESIGN FACILITY

The company boasts of special professionals who adhere to strict international standards and use SOLIDWORKS & other sophisticated designing softwares. Creating and simultaneously checking the working of presson simulation before squeezing the design of every hydraulic hot press.

STRESS ANALYSIS

Every press has to pass through various stringent tests and many critical analysis processes to ensure topmost quality of press for clients.

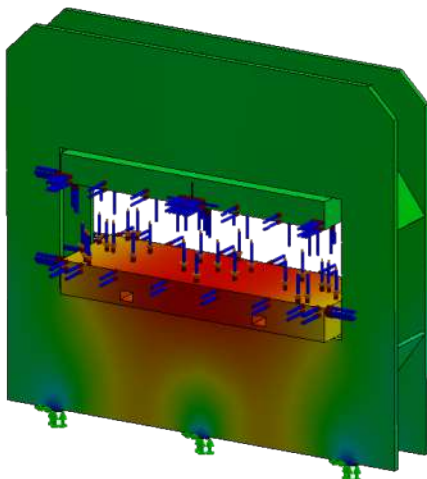
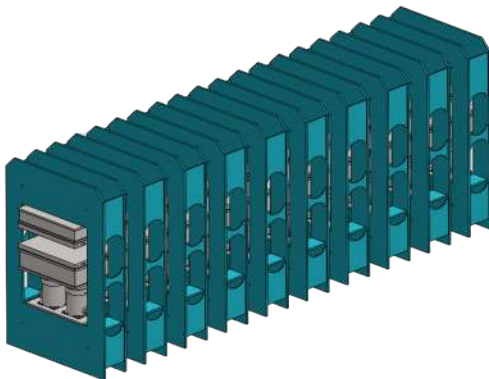
QUALITY

We are providing the best possible machinery to ensure quality components at every stage of manufacturing process. Quality is our prime

concern and so we follow a Total Quality Management tools to achieve highest possible precision in a process which ensures total customer satisfaction. All this has been possible due to Independent Research and Development module with state of the art facilities.

All the products undergo a rigorous quality checking by the quality inspectors, right from the manufacturing to the supply of products. The Hydraulic and Pneumatic Tests on the product range is tested in workshop and the installed unit is also checked at customer's site for their complete satisfaction. This level of thorough commitment to quality has helped the company maintain supreme position in the Industry along with highest customer loyalty.

INSPECTION



A HAPPY CUSTOMER IS THE BEST STRATEGY

Our Precious Clients



SERVICE & SUPPORT



To guarantee highest performance and long-term competitiveness of the equipment, Woodmac offers customers a comprehensive service concept. Our services include spare parts service, customization and upgrading, consulting and engineering, teleservice, training and used machinery sales.

In an emergency – regardless whether of electrical, hydraulic or mechanical nature, our customers will receive quick help when calling the Woodmac-Helpline.



Enquiry +91 - 93166 99338



email : enquiry@woodmac.in



+91-82889-61818

RESPONDING TO CUSTOMERS ANYTIME, ANYWHERE





WOODMAC INDUSTRIES

Head Office & Works :
D-195, Industrial Focal Point,
(New) Mehta Road,
Amritsar - 143 010 (Punjab) INDIA
Contact :
+91 93166 99338 / 94172 85381
+91 94172 83898

Branch office :
E-17, Industrial Area,
Yamuna Nagar,
Haryana - INDIA
+91 9050021483
+91 8295921483

www.woodmac.in
email : enquiry@woodmac.in

SCAN THESE KNOW MORE



Follow us on :



Woodmac Group



Woodmac Group



Woodmac Group